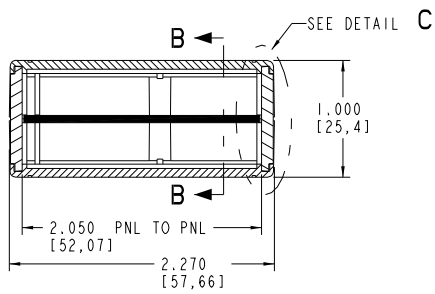
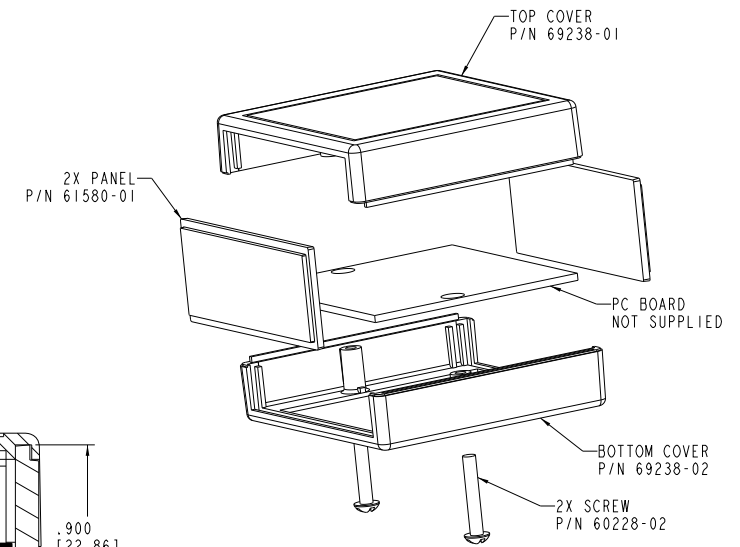
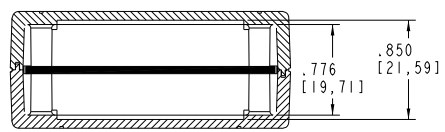


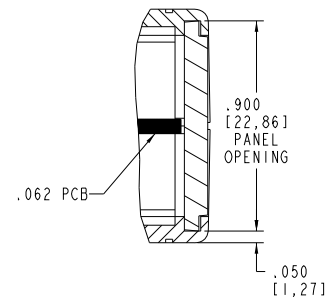
RECOMMENDED PCB SIZE



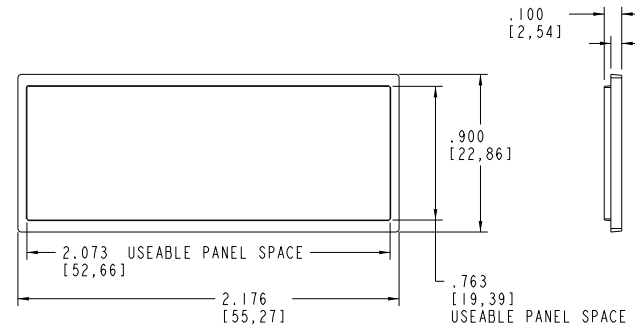
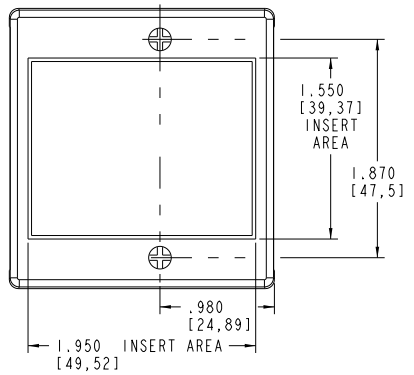
SECTION A-A



SECTION B-B



DETAIL C
SCALE 4.000



PACINTEC®
1-610-361-4200

JM-22

VISIT **PACINTEC®**
ON THE WORLD WIDE WEB
www.pactecenclosures.com

COLOR / MATERIAL CODE		
COLOR	94HB	94VO
BLACK	000	028
P.C.BONE	039	060

DRAWING NUMBER	REV
69261	C

Mouser Electronics

Authorized Distributor

Click to View Pricing, Inventory, Delivery & Lifecycle Information:

[PacTec:](#)

[72838-510-000 JM-22IE Black Kit](#) [69316-510-039 JM-22 Bone Kit](#) [69313-510-000 JM-22 Black Kit](#)