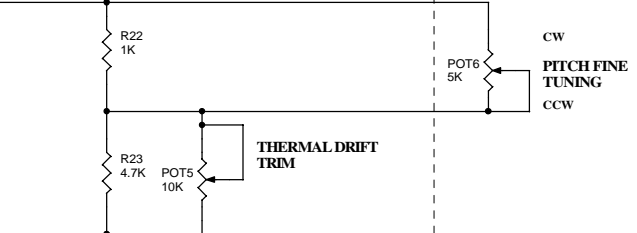
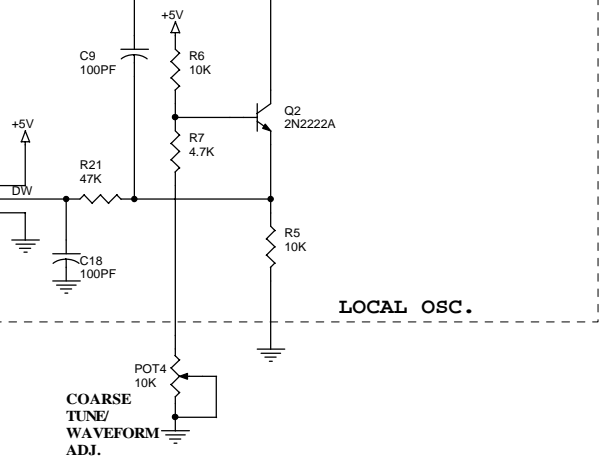


L2 OSC. BOARD



LOCAL OSC.



* = C6, C18 ARE OPTIONAL, BUT THERE WILL BE MORE RF LEAKAGE IN THE OUTPUT WITHOUT THEM.

